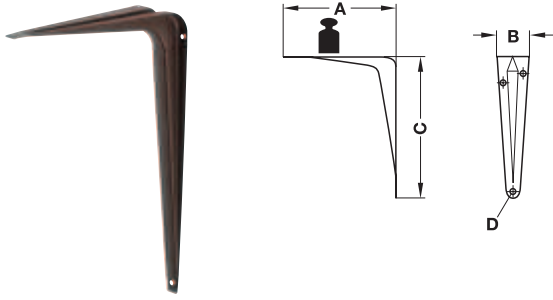


Bracket with load bearing capacity of 30–50 kg per pair



> Material: Steel
> Load bearing capacity: Per piece, tested to DIN EN 16337:2013-08 with 1.7 kg plate for impact test, i.e. double load bearing capacity with surface load and 2 supports, shelf size must suit the respective bracket depth

Load bearing capacity kg	Dim. A mm	Dim. B mm	Dim. C mm	Dim. D mm	Brown coated	White coated
15	65	31	90	4.5	–	287.30.111
	90	33	115	4.5	–	287.30.120
	110	35	140	4.5	287.30.227	287.30.129
17.5	130	40	195	4.5	287.30.245	287.30.147
	185	43	245	4.5	287.30.263	287.30.165
22.5	230	43	295	4.5	287.30.272	287.30.174
25	280	43	345	4.5	287.30.293	287.30.185

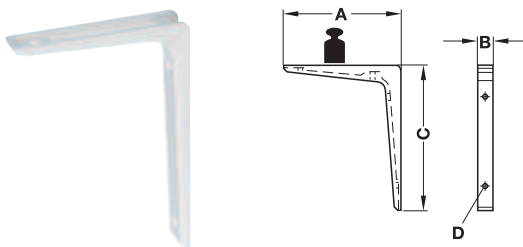
Packing: 1 or 20 pieces

Note

Max. distance between two brackets: 700 mm.

The specified load bearing capacity applies only with even load distribution (surface load) and proper and reliable attachment to the wall.

Bracket with load bearing capacity of 30–80 kg per pair



> Material: Aluminium
> Load bearing capacity: Per piece, tested to DIN EN 16337:2013-08 with 1.7 kg plate for impact test, i.e. double load bearing capacity with surface load and 2 supports, shelf size must suit the respective bracket depth

Load bearing capacity kg	Dim. A mm	Dim. B mm	Dim. C mm	Dim. D mm	White coated
15	100	20	150	5	287.35.722
25	150	20	200	5	287.35.741
	200	24	250	5	287.35.750
40	200	26	300	6	287.35.759

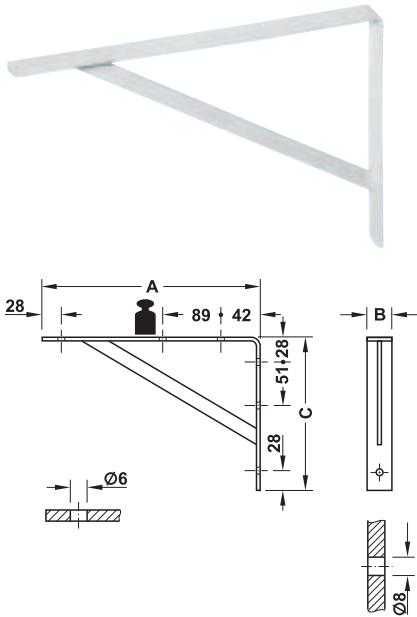
Packing: 1 or 10 pieces

Note

Max. distance between two brackets: 700 mm.

The specified load bearing capacity applies only with even load distribution (surface load) and proper and reliable attachment to the wall.

Bracket with load bearing capacity of 300 kg per pair



Fixing holes for top mounting

Fixing holes for wall mounting

> Material: Steel
 > Load bearing capacity: 150 kg per piece, tested to DIN EN 16337:2013-08 with 1.7 kg plate for impact test, i.e. 300 kg load bearing capacity with surface load and 2 supports, shelf size must suit the respective bracket

Dim. A mm	Dim. B mm	Dim. C mm	White coated
298	30	205	287.31.755
397	30	267	287.31.756
496	30	328	287.31.757

Packing: 1 or 10 pieces

Note

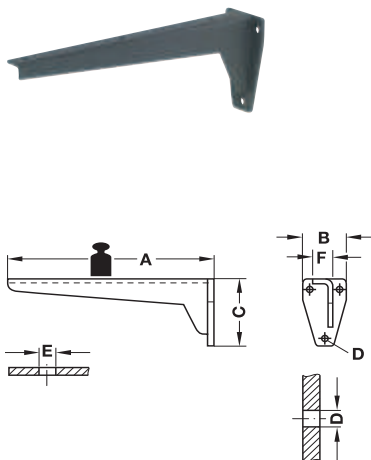
Max. distance between two brackets: 800 mm
 The specified load bearing capacity applies only with even load distribution (surface load) and proper and reliable attachment to the wall.



3

Shelf Supports

Hebgo Bracket with load bearing capacity of 150 or 500 kg per pair



Fixing holes for top mounting

Fixing holes for wall mounting

> Material: Steel
 > Load bearing capacity: Per piece, tested to DIN EN 16337:2013-08 with 1.7 kg plate for impact test (with load bearing capacity 75 kg) or 2.5 kg plate for impact test (with load bearing capacity 250 kg), i.e. double load bearing capacity with surface load and 2 supports, shelf size must suit the respective bracket

Load bearing capacity kg	Dim. A mm	Dim. B mm	Dim. C mm	Dim. D mm	Dim. E mm	Dim. F mm	Grey primed	Galvanized
75	200	46	80	8	5	20	287.44.416	–
	240	46	80	8	5	20	287.44.425	–
	280	53	100	8	6	22	287.44.434	–
	330	53	100	8	6	22	287.44.443	287.44.943
	380	65	130	10	6	25	287.44.452	287.44.952
	480	65	130	10	6	25	287.44.461	287.44.961
	580	82	170	10	6	30	287.44.470	287.44.970
	680	82	170	10	6	30	287.44.489	–
250	380	80	180	12	6	32	287.45.459	–
	480	80	180	12	6	32	287.45.468	287.45.968
	580	100	220	15	6	40	287.45.477	–
	680	100	220	15	6	40	287.45.486	–
	780	100	220	15	6	40	287.45.495	–

Packing: 1 piece

Note

Tested distance between two brackets:
 With load bearing capacity 75 kg/piece: 600–750 mm
 With load bearing capacity 250 kg/piece: 850–950 mm
 The specified load bearing capacity applies only with even load distribution (surface load) and proper and reliable attachment to the wall.