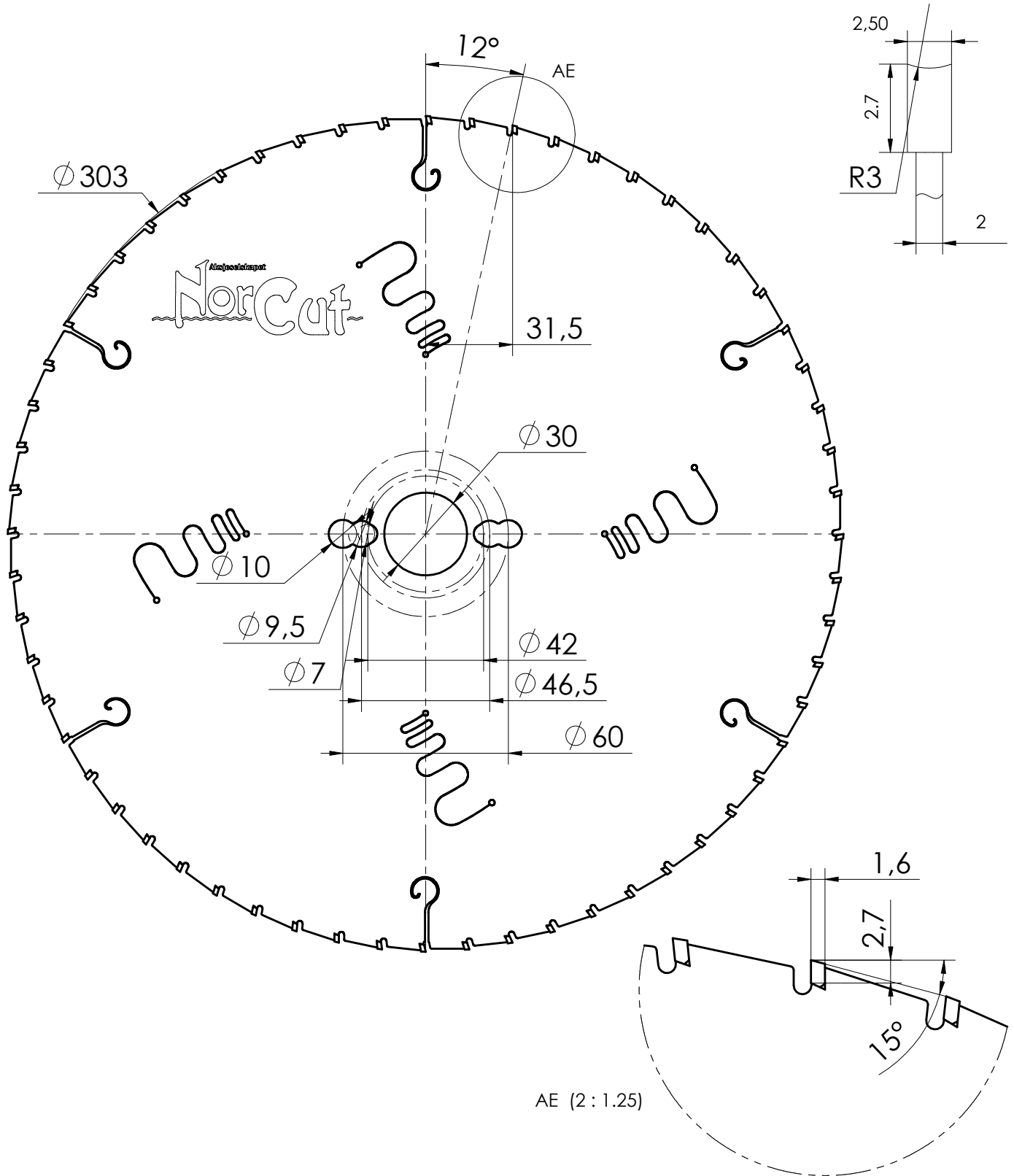


Stampato il: 10/06/2021

Customer ID		Delivery Date	Order ID	Production ID
00645		WEEK 27	O/467	O/737
Product Code	Content	Description		
0919-2326	2	PCD SAW BLADE SOFT TOUCH PLH 3		
	Tot. 2	Ø 303 X 2.5 Z60 BORE 30+2/10/60 +2/7/42 +2/9.5/46.5 CONCAVE TOOTH		
Register: G2119-2326				



Balancing		Material: HARDENED STEEL	
Type :		Maximun Rate: 5380	
Precision :		Drawn by: AG	
RPM :0			

This drawing and the information given is the exclusive property of "M.GI. TOOLS S.r.l.". Any reproduction and/or use of, other then for the supply of tools from "M.GI TOOLS S.r.l.", is strictly prohibited.

Scale 1:5

Nome completo file: F:\7 TECNICO\DISIGN\Mgl\19-2326\LAMA-568\19-2326